

International Division

POWERPAC INTERNATIONAL PTE. LTD.
39 Ubi Crescent, Powerplus Building, Singapore 408587
Tel: (65) 63363333
Fax: (65) 63363336
Email: enquiry@powerpac.sg

Research & Development Facility

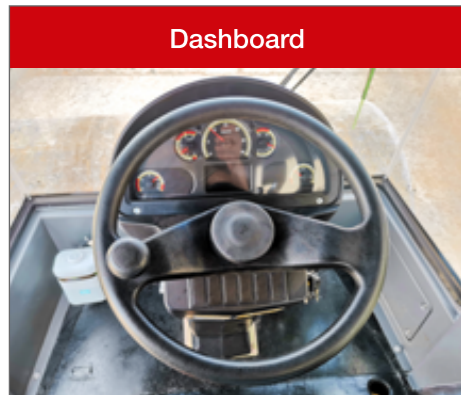
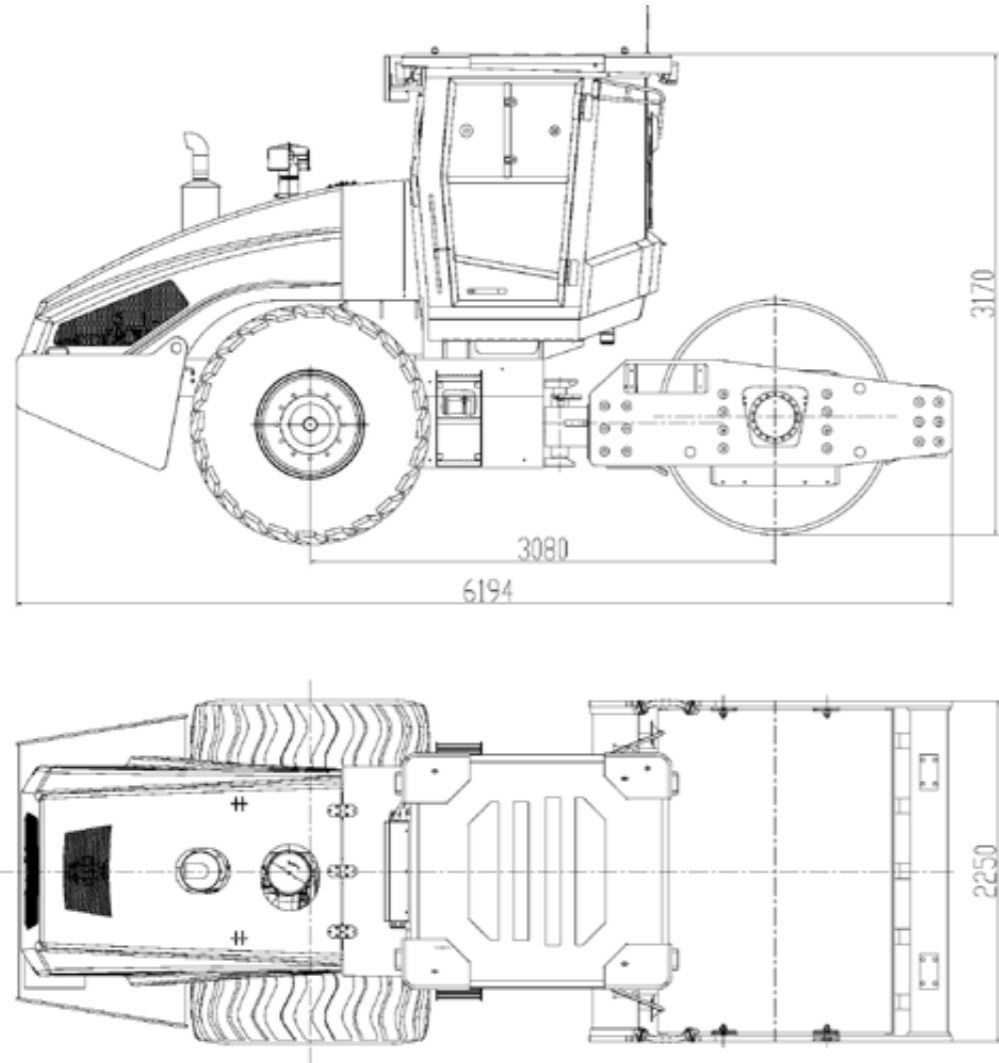
POWERPAC INTERNATIONAL INC., U.S.A.
2130 N. Arrowhead Avenue,
San Bernardino, CA 92405, USA
Tel: (1) 909 300 3333
Fax: (1) 909 323 3333
Email: hq@powerpac.sg

Distributed By:



VIBRATORY ROLLER
CV300D-III CV302D-III CV308D-III

DIMENSION DRAWING



Dashboard



Full Access to Engine Compartment



Compression of Premium Quality

MAIN SPECIFICATION		CV300D-III	CV302D-III	CV308D-III
Operating Weight	kg	10600	12000	14000
Drum (diameter × width)	mm	1550×2130		
Wheelbase	mm	3080	3080	3080
Gradeability	%	50	48	40
Ground Clearance	mm	440	440	440
Minimum Turning Radius	mm	6300	6300	6300
Static Linear Force	N/cm	276	331	382
Vibration Amplitude (High)	mm	1.7	1.7	1.8
Vibration Amplitude (Low)	mm	0.85	0.85	0.9
Vibration Frequency	Hz	30	30	30
Centrifugal Force (High)	kN	225	247	260
Centrifugal Force (Low)	kN	112	127	135
ENGINE				
Model		CUMMINS 6BT5.9-C150	CUMMINS 6BT5.9-C150	CUMMINS 6BT5.9-C150
Rated Power	HP	150	150	150
Rated Speed	rpm	2400	2400	2400
Displacement	L	5.9	5.9	5.9
Emission		Euro II	Euro II	Euro II
SERVICE REFILL CAPACITY				
Fuel (Diesel)	L	200	200	200
Engine Oil	L	15	15	15
Hydraulic Oil	L	130	130	130
TRANSMISSION SYSTEM				
Drive Type		Hydraulic	Hydraulic	Hydraulic
Maximum Travelling Speed	km/h	8.5	8.5	8.5
AXLE				
Type of Main Reducer		Spiral bevel gear, Single stage		
HYDRAULIC SYSTEM				
Drive Pump / Motor		DANFOSS	DANFOSS	DANFOSS
Vibrating Pump / Motor		PERMCO	PERMCO	PERMCO
STEERING SYSTEM				
Type		Mid Articulated Frame, Co-axis flow amp.		
TIRE				
Size of Tire		23.1-26	23.1-26	23.1-26
Ply Rating		12	12	12
CABIN				
Type		An ergonomically designed sound proof cabin, enabling wide operational view, comes standard with designer upholstery, adjustable POWERPLUS mechanical suspension driver's seat, streamline dashboard, air con and radio/mp3 player for extensive operations with well deserved comfort.		
OPTIONAL				
Integrated ROPS Cabin		•	•	•
Pad Foot		○	○	○

• Standard ○ Optional N.A Not Applicable

As our products are upgraded periodically, we reserve all rights to change any information without prior notice.

